

7-SERIES CUSHION

8,000-15,500 LBS



SPECIFICATIONS



8,000 – 15,500 lbs. Standard Features

SAFETY

- EPA/CARB certified engine with 3-way closed loop catalytic muffler system
- Double action hand operated parking brake
- Electric horn
- Neutral start safety switch
- System of Active Stability (SAS)
 - *Active control rear stabilizer*
 - *Active mast control function*
 - *SAS operation monitor*
- Key lowering interlock
- Asbestos free components
- High visibility overhead guard
- Low noise emissions

PERFORMANCE

- GM 4.3L, 262 ci V6 gasoline engine
- Planetary drive axle
- Centralized Hydraulic Power System (CHPS)
 - *Power brakes*
 - *Hydrostatic power steering*
 - *Hydraulic functions*
- Hydraulic valve lifters
- Reverse-phase type 2 stator torque converter
 - *4 element, 2-stage, 3-phase type*
 - *8:1 torque multiplication*
- Class III hook carriage (8,000 & 10,000 lb. models)
- Class IV hook carriage (12,000, 13,500 & 15,500 lb. models)
- Hydraulic oil cooler
- Rubber mounted high-efficiency radiator
- Radiator lint screen
- 8-inch Cyclone air cleaner
- External Air Intake located high on overhead guard leg
- Electric governor
- Alternator with internal regulator
- Sealed Starter
- Air cleaner discharge valve
- Transmission oil cooler
- Transistorized ignition
- UL “G” gasoline model
- 3-Way hydraulic control valve
- Anti-restart ignition key switch

OPERABILITY AND ERGONOMICS

- Ergonomically designed instrument display
- Integrated monitoring system
 - *Digital hour meter*
 - *Battery charge warning lamp*
 - *Engine coolant temperature gauge*
 - *Engine oil pressure warning lamp*
 - *Clogged air filter warning lamp*
 - *Fuel gauge (gasoline only)*
 - *SAS warning lamp*
 - *Swing lock cylinder activation lamp*
- Automatic fork leveling
- Memory tilt steering column
- Two spoke steering wheel
- Heavy-duty non-slip floor mat
- 4-Way vinyl semi-suspension seat
 - *Fore/aft adjustment*
 - *Weight adjustment*
 - *Back tilt adjustment*
 - *Lumbar support adjustment*
- Large hood mounted clipboard
- Pen/Pencil/Cup holder
- Adjustable front headlights and guards
- Electric shift control
- Combination headlight, turn signal lever
- Sealed engine hood compartment (steel) with sound and heat insulation
- Non-slip hand pad on engine hood
- Dual operator assist grips
- Low wide entry steps
- 2-Stage limited free lift mast (V-Mast)
- Wide view carriage bars
- Load backrest extension
- Pendant mounted pedals
- Independent brake & inching pedals
- Draw bar pin (except BCS models)
- Rubber mounted hydraulic control valve
- Cowl mounted hydraulic control levers with rubber boot covers

SERVICEABILITY

- Easy access no-tools floorboard
- Engine hood assist damper with lock device
- Low maintenance battery
- Easy access fuse box panel
- Fully opening Engine Compartment hood
- Easy access engine air filter
- Quick removal radiator cover and lint screen

8,000 – 15,500 lbs. Optional Equipment

- Box Car Special (BCS) Counterweight (available on 8,000, 10,000 & 12,000 models)
- EZ-Pedal foot directional control
- Travel Speed Control System
- Steel cab enclosure
- Paper Roll Handling Option (FSV Only) (*consult factory for additional information*)
- 2-stage full free lift mast (FV)
- 3-stage full free lift mast (FSV)
- LPG fuel system configurations with swing out tank bracket and one touch latch system
 - *UL-LP*
 - *UL-LPS*
 - *UL-LP/G dual fuel*
- Optional swing down feature for LPG tank bracket
- Engine protection system
- Dual fuel system (gasoline/LPG)
- Hang on sideshifter
- LPG low-fuel warning indicator
- Keyless ignition switch
- Fire extinguisher
- Front combination lights
- Rear working light
- Mast mounted headlights (heavy duty)
- Strobe light (yellow, clear, red & blue)
- High mount rear combination light bar
- Back-up alarm
- Rear view mirrors (left & right)
- 4-Way hydraulic control valve
- 3-Way full suspension seat with anti-cinching seat belt
 - *Fore/aft adjustment*
 - *Weight adjustment*
 - *Tilt adjustment*
- 4-Way cloth semi-suspension seat
- Accumulator
- O.K. Monitor
- High mount Pre-Cleaner for air intake
- Box-fin radiator
- Cooling fan booster
- Sealed alternator (standard with LPS)
- Tapered forks
- Fully tapered and polished forks
- Various load backrest extension heights
- Various carriage widths
- Adjustable dB Smart Alarm
- Combination inching/brake pedal (*standard with EZ-Pedal option*)
- Wide tread tires (8,000 lb. model only)
- Transmission oil temp gauge
- 12V-60A high capacity alternator
- OHG mounted pencil & tape holder
- Operator compartment light
- Tilt cylinder boots
- Dual element Cyclone air cleaner

8,000 – 15,500 lbs. Truck Specifications

Models		7FGCU35	7FGCU35-BCS	7FGCU45	7FGCU45-BCS	7FGCU55	7FGCU55-BCS	7FGCU60	7FGCU70	
Load Capacity (at 24" Load Center)	lbs.	8000		10,000		12,000		13,500	15,500	
Body/Frame Construction		Welded steel body and frame								
Steering Type		Hydrostatic power steering								
Brakes		Hydraulic (foot)								
Transmission	Type	Reverse-phase type 2 stator torque converter with 8:1 torque multiplication								
	Speeds (fwd/rev)	1/1								
Engine	Make/Model	GM 4.3L Vortec V6								
	Type	6-cyl. OHV								
Piston Displacement	cu. in.	262								
Rated Horsepower - Net rpm	SAE HP	85 @ 2350 rpm				89 @ 2600 rpm				
Rated Torque - Net rpm	SAE ft-lb.	217 @ 1200 rpm				217 @ 1200 rpm				

EXTERIOR DIMENSIONS

Models		7FGCU35	7FGCU35-BCS	7FGCU45	7FGCU45-BCS	7FGCU55	7FGCU55-BCS	7FGCU60	7FGCU70
A	Maximum Fork Height (MFH)	in.	120.0	120.0	120.0	120.0	120.5	120.5	120.5
B	Mast Lowered Height	in.	81.1	81.1	83	83	84.6	84.6	94.5
C	Free Lift	in.	4.3	4.3	4.3	4.3	4.9	4.9	4.9
D	Load Distance*	in.	18.3	18.3	19.0	19.0	20.9	20.9	20.9
E	Wheelbase	in.	61.5	61.5	61.5	61.5	72.0	72.0	72.0
F	Fork Size (TxWxL)	in.	2x6x42	2x6x42	2x6x42	2x6x42	2.6x6x48	2.6x6x48	2.6x6x48
G	Length to Fork Face	in.	103.9	94.9	108.1	97.8	115.9	107.5	118.1
H	Overhead Guard Height	in.	82.8	82.8	82.8	82.8	85.4	85.4	85.4
I	Tilt Range (Fwd/Bwd)	deg	5/6	5/6	5/6	5/6	5/6	5/6	5/6
J	Outside Turning Radius	in.	89.8	82.1	94.1	87.8	100.4	93.5	101.8
K	Rt Angle Stacking Aisle Width**	in.	108	100.4	113.1	106.9	121.2	114.4	122.6
L	Overall Width	in.	47.6	47.6	53.1	53.1	53.1	53.1	57.1
M	Carriage Width	in.	43	43	43	43	46	46	46
N	Std Tread Width (Front/Rear)	in.	38.6/41.4	38.6/41.4	41.1/42.4	41.1/42.4	43.1/42.0	43.1/42.0	45.1/43.0
O	Underclearance	Minimum w/ load	in.	3.1	3.1	3.1	3.1	3.1	3.1
		Center of W.B.	in.	5.1	5.1	5.1	5.1	6.3	6.3

PERFORMANCE DATA

Maximum Travel Speed	Full Load	Forward	mph	11.8	11.8	11.8	11.8	13.0	13.0	13.0	13.0
		Reverse	mph	11.8	11.8	11.8	11.8	13.0	13.0	13.0	13.0
	No Load	Forward	mph	11.8	11.8	11.8	11.8	13.0	13.0	13.0	13.0
		Reverse	mph	11.8	11.8	11.8	11.8	13.0	13.0	13.0	13.0
Lifting Speeds (V mast)	Full Load	fpm	101	101	87.1	87.1	82.7	82.7	80.8	80.8	
	No Load	fpm	109	109	95	95	86.7	86.7	86.7	86.7	
Lowering Speeds (V mast)	Full Load	fpm	99	99	99	99	98.5	98.5	98.5	98.5	
	No Load	fpm	109	109	99	99	108.4	108.4	92.6	92.6	
Maximum Drawbar Pull	Full Load	lbs	9900	9900	9900	9900	9900	9900	9900	9900	
	No Load	lbs	2110	2110	2180	2180	3170	3170	3260	3130	
Maximum Gradeability	Full Load	%	47	47	37	37	34	34	31	28	
	No Load	%	18	18	15	15	18	18	18	16	

TRUCK WEIGHTS

Gross Weight (empty)		lbs	12720	13070	15150	15760	17840	18170	19070	20480	
Weight Distribution	Full Load	Front	lbs	18020	18500	21750	22350	26250	26910	28890	32050
		Rear	lbs	2700	2570	3400	3410	3590	3260	3680	3930
	No Load	Front	lbs	4520	4990	4760	5330	6770	7430	6970	6880
		Rear	lbs	8200	8080	10390	10430	11070	10740	12100	13600

FUEL CAPACITY

Gasoline Fuel Tank	US gal	12.7	12.7	12.7	12.7	27.7	27.7	27.7	27.7
--------------------	--------	------	------	------	------	------	------	------	------

ATTACHMENT

Auxiliary Function Pressure Relief	psi	2630	2630	2630	2630	2630	2630	2990	2990
Auxiliary Function Flow Rate (max)	gpm	28.0	28.0	28.0	28.0	32.0	32.0	35.0	35.0

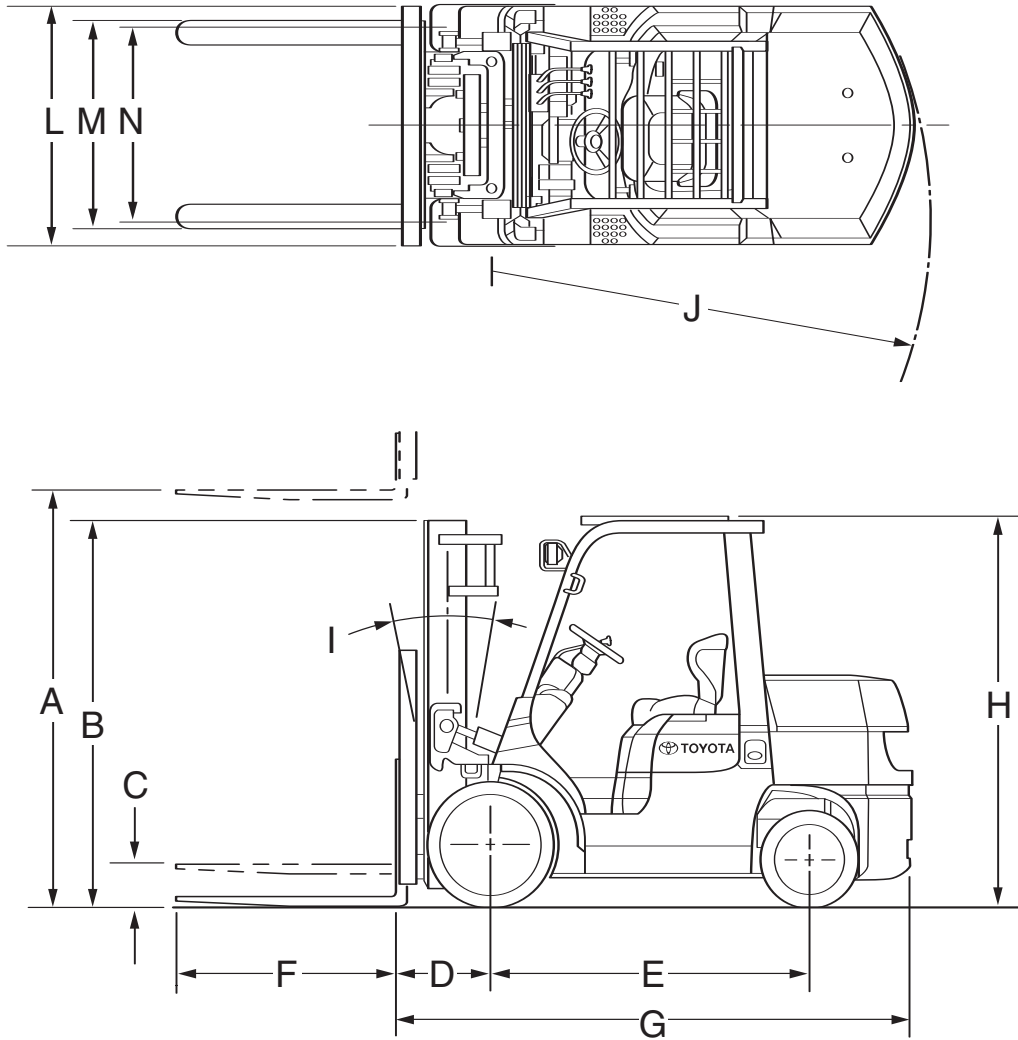
TIRES

Type (front/rear)		Treaded Cushion/Treaded Cushion							
Size	Drive (Front)	22x9x16		22x12x16		28x10x22		28x12x22	
	Steer (Rear)	18x6x12-1/8		18x7x12-1/8		22x7x16		22x8x16	

* Centerline of front axle to front face of forks

** Add load length and clearance

8,000 – 15,500 lbs. Truck Dimensions



7FGCU55 model shown above

8,000 lbs. Mast Specifications

7FGCU35 & 7FGCU35-BCS

Mast Type	Maximum Fork Height (top of forks)	Overall Height				Free Lift		Tilt Range		7FGCU35		7FGCU35-BCS	
		Lowered	Extended		Without Load Backrest	With Std. Load Backrest	Load Capacity at 24" Load Center			Load Capacity at 24" Load Center			
			Without Load Backrest	With Std. Load Backrest			Standard Tread	Optional Wide Tread	Standard Tread	Optional Wide Tread			
		in.	in.	in.	in.	in.	in.	deg.	deg.	lbs.	lbs.	lbs.	lbs.
V	120	81.1	149.6	166.1	4.3	4.3	5	6	8000	—	8000	—	
	131.5	88.2	161.4	178.0	4.3	4.3	5	6	8000	—	8000	—	
	139.5	92.1	169.3	185.8	4.3	4.3	5	6	8000	—	8000	—	
	147.5	96.1	177.2	193.7	4.3	4.3	5	6	8000	—	8000	—	
	179	115.8	208.7	225.2	4.3	4.3	5	6	8000	—	8000	—	
FV	120	81.1	150.8	166.1	50.4	33.1	5	6	8000	—	8000	—	
	131.5	88.2	162.6	178.0	57.5	40.2	5	6	8000	—	8000	—	
FSV	159	76.4	190.9	205.5	44.9	28.4	5	5	8000	8000	8000	8000	
	171	81.1	202.8	217.3	49.6	33.1	5	5	8000	8000	7870	7870	
	187	88.2	218.5	233.1	56.7	40.2	5	5	8000	8000	7700	7700	
	198.5	92.1	230.3	244.9	60.6	44.1	5	5	7730	7730	7550	7550	
	218.5	98.0	250.0	264.6	66.5	50.0	5	5	7470	7470	7340	7340	
	238	105.9	269.7	284.3	74.4	57.9	5	5	—	6500	—	6500	

Note: Height of standard load backrest is 48 in.

10,000 – 13,500 lbs. Mast Specifications

7FGCU45 & 7FGCU45-BCS

Mast Type	Maximum Fork Height (top of forks)	Overall Height			Free Lift		Tilt Range		7FGCU45	7FGCU45-BCS
		Lowered	Extended		Without Load Backrest	With Std. Load Backrest	FWD	BWD	Load Capacity at 24" Load Center	Load Capacity at 24" Load Center
			Without Load Backrest	With Std. Load Backrest						
in.	in.	in.	in.	in.	in.	deg.	deg.	lbs.	lbs.	
V	120	83.1	152.0	166.1	4.3	4.3	5	6	10000	10000
	131.5	92.1	163.8	178.0	4.3	4.3	5	6	10000	10000
	139.5	96.1	171.7	185.8	4.3	4.3	5	6	10000	10000
	147.5	100.0	179.5	193.7	4.3	4.3	5	6	10000	10000
	179	115.8	211.0	225.2	4.3	4.3	5	6	10000	10000
FV	120	83.1	152.2	166.1	51.0	35.0	5	6	10000	10000
	131.5	92.1	164.0	178.0	60.0	44.1	5	6	10000	10000
FSV	159	81.1	191.5	205.5	49.0	33.1	5	5	10000	10000
	171	85.6	203.4	217.3	53.5	37.6	5	5	10000	10000
	187	92.1	219.1	233.1	60.0	44.1	5	5	10000	10000
	198.5	98.0	230.9	244.9	66.0	50.0	5	5	10000	9950
	218.5	105.9	250.6	264.6	73.8	57.9	5	5	9650	9600
	238	115.8	270.3	284.3	83.7	67.7	5	5	8820	8800

Note: Height of standard load backrest is 48 in.

7FGCU55 & 7FGCU55-BCS

Mast Type	Maximum Fork Height (top of forks)	Overall Height			Free Lift		Tilt Range		7FGCU55	7FGCU55-BCS
		Lowered	Extended		Without Load Backrest	With Std. Load Backrest	FWD	BWD	Load Capacity at 24" Load Center	Load Capacity at 24" Load Center
			Without Load Backrest	With Std. Load Backrest						
in.	in.	in.	in.	in.	in.	deg.	deg.	lbs.	lbs.	
V	120.5	84.7	150.6	172.1	4.9	4.9	5	6	12000	12000
	132	90.6	162.4	183.9	4.9	4.9	5	6	12000	12000
	140	94.5	170.3	191.7	4.9	4.9	5	6	12000	12000
	148	100.4	178.1	199.6	4.9	4.9	5	6	12000	12000
	179.5	118.1	209.7	231.1	4.9	4.9	5	6	12000	12000
FSV	159.5	81.5	187.8	211.4	53.7	27.6	5	6	12000	12000
	171.5	84.7	199.6	223.2	56.9	30.7	5	6	12000	12000
	187.5	90.6	215.4	239.0	62.8	36.6	5	6	12000	11800
	199	94.5	227.2	250.8	66.7	40.6	5	6	11800	11600
	219	100.4	246.9	270.5	72.6	46.5	5	6	11500	11250
	238.5	108.3	266.5	290.2	80.5	54.3	5	6	11150	10900

Note: Height of standard load backrest is 54 in.

7FGCU60

Mast Type	Maximum Fork Height (top of forks)	Overall Height			Free Lift		Tilt Range		Load Capacity at 24" Load Center
		Lowered	Extended		Without Load Backrest	With Std. Load Backrest	FWD	BWD	
			Without Load Backrest	With Std. Load Backrest					
in.	in.	in.	in.	in.	in.	deg.	deg.	lbs.	
V	120.5	94.5	154.3	172.1	4.9	4.9	5	6	13500
	132	100.4	166.1	183.9	4.9	4.9	5	6	13500
	140	104.3	174.0	191.7	4.9	4.9	5	6	13500
	148	108.3	181.9	199.6	4.9	4.9	5	6	13500
	179.5	128.0	213.4	231.1	4.9	4.9	5	6	13500
FSV	159.5	90.6	194.5	211.4	56.1	36.6	5	6	13500
	171.5	94.5	206.3	223.2	60.0	40.6	5	6	13500
	187.5	98.0	222.1	239.0	63.6	44.1	5	6	13300
	199	108.3	233.9	250.8	73.8	54.3	5	6	13100
	219	118.1	253.5	270.5	83.7	64.2	5	6	12750
	238.5	120.1	273.2	290.2	85.6	66.1	5	6	12350

Note: Height of standard load backrest is 54 in.

15,500 lbs. Mast Specifications

7FGCU70

Mast Type	Maximum Fork Height (top of forks)	Overall Height				Free Lift		Tilt Range		Load Capacity at 24" Load Center
		Lowered	Extended		Without Load Backrest	With Std Load Backrest	FWD	BWD		
			Without Load Backrest	With Std Load Backrest						
in.	in.	in.	in.	in.	in.	deg.	deg.	lbs.		
V	120.5	94.5	154.3	172.1	4.9	4.9	5	6	15500	
	132	100.4	166.1	183.9	4.9	4.9	5	6	15500	
	140	104.3	174.0	191.7	4.9	4.9	5	6	15500	
	148	108.3	181.9	199.6	4.9	4.9	5	6	15500	
	179.5	128.0	213.4	231.1	4.9	4.9	5	6	15500	
FSV	159.5	90.6	194.5	211.4	56.1	36.6	5	6	15350	
	171.5	94.5	206.3	223.2	60.0	40.6	5	6	15350	
	187.5	98.0	222.1	239.0	63.6	44.1	5	6	15000	
	199	108.3	233.9	250.8	73.8	54.3	5	6	14700	
	219	118.1	253.5	270.5	83.7	64.2	5	6	14300	
	238.5	120.1	273.2	290.2	85.6	66.1	5	6	13900	

Note: Height of standard load backrest is 54 in.



Some product features described herein are optional. Please consult your dealer for specifications. Details and specifications of equipment are based on information available at the time of printing and may change without notice.